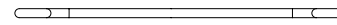
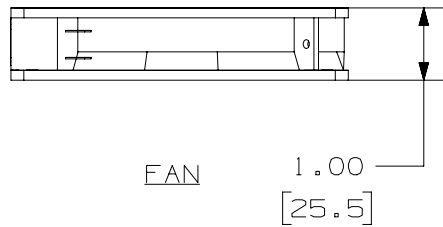
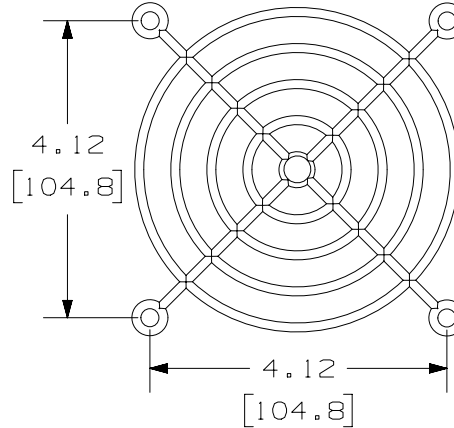
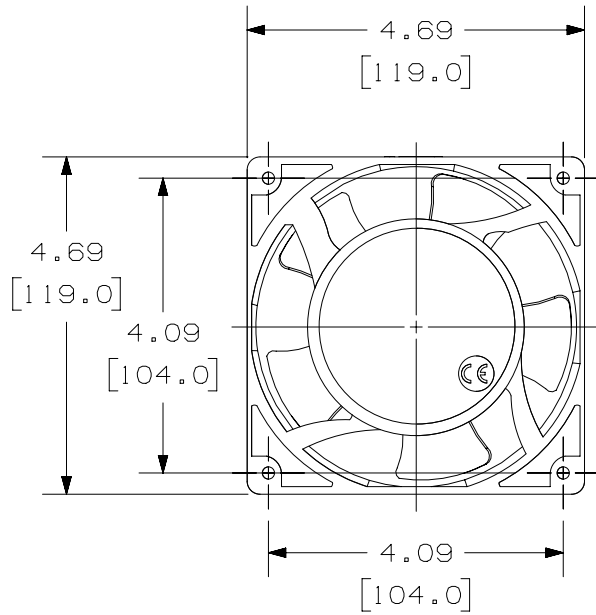


THIS COPY IS PROVIDED ON A RESTRICTED BASIS AND IS NOT TO BE USED IN ANY WAY DETRIMENTAL TO THE INTERESTS OF PANDUIT CORP.

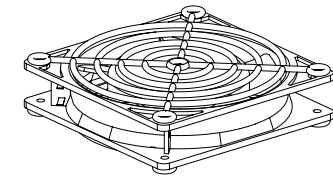


FAN GUARD

PANDUIT P/N	WEIGHT
PZAEFAN	2.05 LB/EACH PC (929.9 g/EACH PC)

NOTES:

- SEE CATALOG FOR COMPLETE LIST OF PARTS APPLICABLE FOR USE WITH THIS PART.
- DIMENSIONS IN PARENTHESES ARE IN METRIC.
- PART INCLUDES:
 - 1- 4.68" FAN
 - 2- FAN GUARD
 - 1- 6FT LENGTH SCHUKO WIRE HARNESS ASSEMBLY
 - 4- MOUNTING SCREW
 - 5- LOCK WASHER
 - 4- HEX NUT
 - 1- #8-32 SCREW
- FAN RATING:
 - VOLT- 115V AC
 - CFM- 61CFM
 - CE MARKED FOR EU LVD



REV	DATE	BY	CHK	APR	DESCRIPTION	ECN
03A	5-2-17	TWV	JEFK		ADDED CE MARK	01247-47
01A	1-13-09	BAME	RYB		UPDATED PART COMPONENTS	01247-47
00A	12-17-03	JsP			RELEASED TO PRODUCTION	01247-47

TITLE 4.68", 61CFM, 115V AC FAN FOR PANZONE™ ACTIVE ENCLOSURE CUSTOMER DRAWING			
ITEM REVISION NAME M01247AR/03		PANDUIT	
DATASET FILE NAME M01247AR_DC/03A			
UNLESS OTHERWISE SPECIFIED, DIMENSIONAL TOLERANCES ARE:			MATERIAL:
INCHES	METRIC - MILLIMETER	ANGLE	
X.X +/- 0.03	X. +/- 0.8	+/- 1°	
X.XX +/- 0.018	X.X +/- 0.46		
X.XXX +/- 0.007	X.XX +/- 0.18		
DRAWN BY JsP		DATE 12-17-03	SCALE NONE
DRAWING NUMBER: 01247-47		SHT 1 OF 1	
REV		SIZE A	